




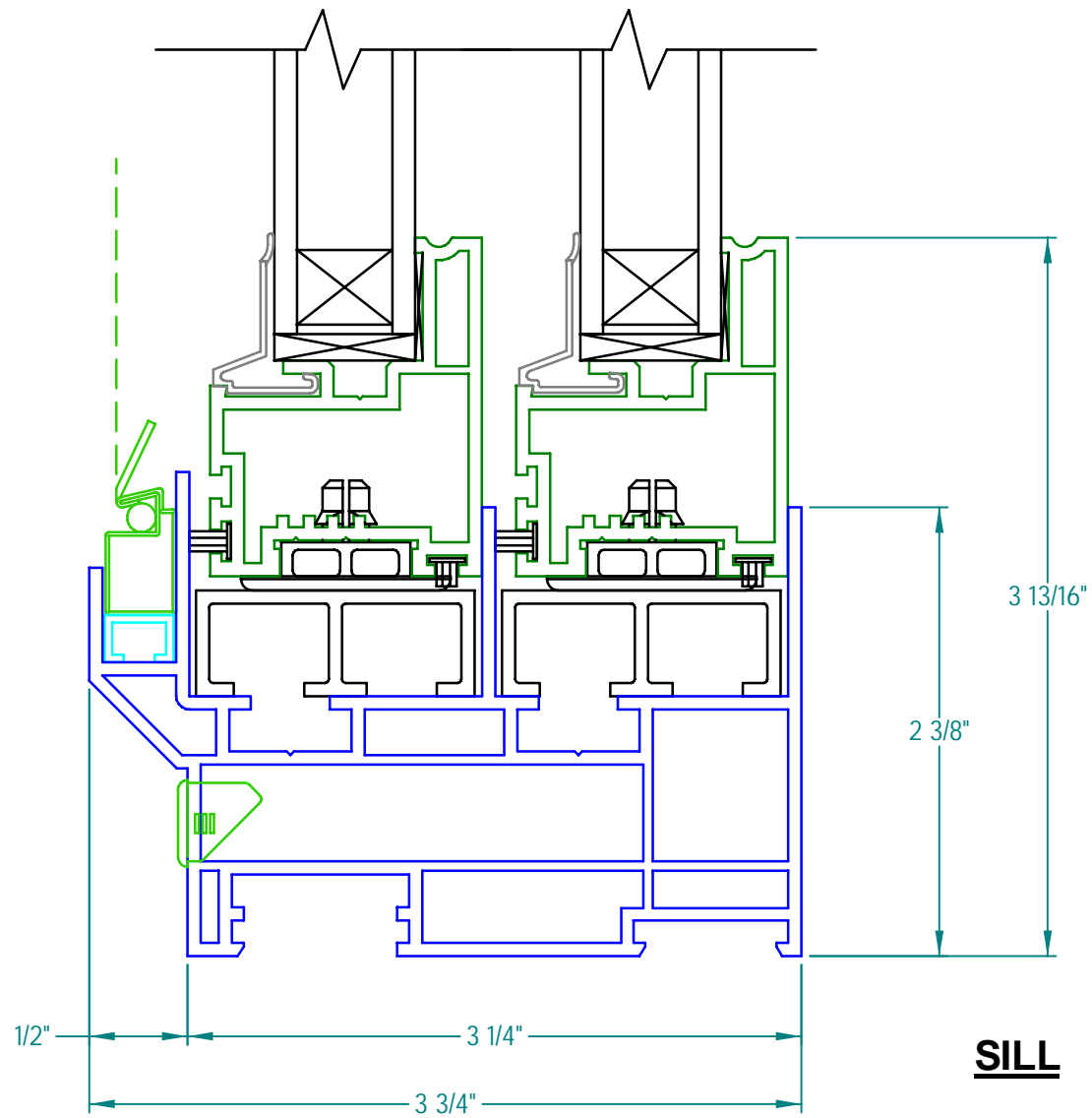
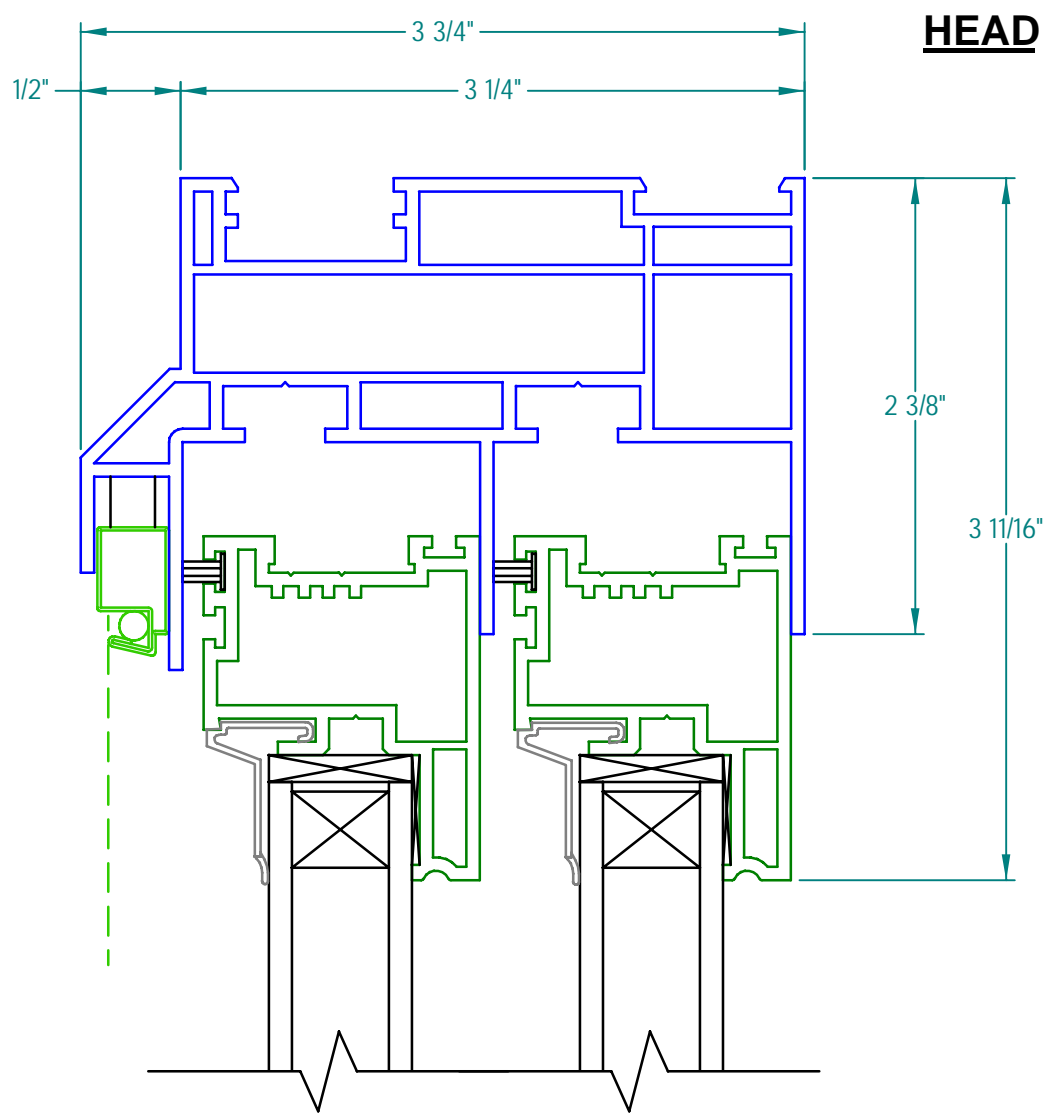
**LEFT JAMB**

**MEETING RAIL**

**RIGHT JAMB**

		DO NOT SCALE DRAWING MM REFERENCE DIMENSION		 <small>© 2001 CERTAINTEED CORPORATION</small>	Window Group Technology Center Jackson, Michigan		DESCRIPTION: CROSS SECTION DWG/ DOUBLE GLIDER		
		UNLESS OTHERWISE NOTED TOLERANCES:			THIS DRAWING IS THE PROPERTY OF CERTAINTEED CORPORATION AND ALL INFORMATION CONTAINED THEREON IS TO BE KEPT CONFIDENTIAL BY THE RECIPIENT THEREOF AND NOT TO BE DISCLOSED TO ANY OTHER PERSON, FIRM OR CORPORATION WITHOUT CERTAINTEED CORPORATION'S EXPRESSED WRITTEN CONSIDERATION. THE DRAWING SHALL NOT BE USED DIRECTLY OR INDIRECTLY EXCEPT IN CONNECTION WITH CERTAINTEED CORPORATION WORK. ALL RIGHTS OF DESIGN OR INVENTION DISCLOSED IN THE DRAWING ARE EXPRESSLY RESERVED BY CERTAINTEED CORPORATION. RECIPIENT SHALL NOT REPRODUCE IN WHOLE OR ANY PART ANY SECTION OF THIS DRAWING AND AGREES UPON NOTIFICATION BY CERTAINTEED CORPORATION TO RETURN THIS DRAWING AND COPIES THEREON IMMEDIATELY TO CERTAINTEED CORPORATION.		PRODUCT: BRYN MAWR II (STAGE IV)		SCALE: 1=1
	ON SHT. 1-ADDED 8886X WEATHERSTRIP; ON SHT 1 & 3- REVISED SHAPE OF 978;	8/14/01	CMD	DECIMAL .XX = ±.03 .XXX = ±.010	DATE: 8/24/00	SKU:	MATERIAL:		
	DRAWN IN SOLID EDGE	8/24/00	RA	FRACTIONS ±1/16 ANGLE ±0°30'	DRN: R. APPLIGATE	DRAWING NUMBER:			
NO	REVISIONS	DATE	BY		CHK:	W-CS-BMIIDG-B-002-B			

NO	REVISIONS	DATE	BY
A	DRAWN IN SOLID EDGE.	8/24/00	RA
B	ON SHT.1-ADDED 8886X WEATHERSTRIP; ON SHT.1 & 3-REVISED SHAPE OF 978	8/14/01	CMD



DO NOT SCALE DRAWING  
MM REFERENCE DIMENSION

UNLESS OTHERWISE NOTED  
TOLERANCES:

DECIMAL .XX = ±.03  
.XXX = ±.010

FRACTIONS ±1/16  
ANGLE ±0°30'

**CertainTeed**

© 2001 CERTAINTEED CORPORATION

Window Group  
Technology Center  
Jackson, Michigan

THIS DRAWING IS THE PROPERTY OF CERTAINTEED CORPORATION AND ALL INFORMATION CONTAINED THEREON IS TO BE KEPT CONFIDENTIAL BY THE RECIPIENT THEREOF AND NOT TO BE DISCLOSED TO ANY OTHER PERSON, FIRM OR CORPORATION WITHOUT CERTAINTEED CORPORATION'S EXPRESSED WRITTEN CONSIDERATION. THE DRAWING SHALL NOT BE USED DIRECTLY OR INDIRECTLY EXCEPT IN CONNECTION WITH CERTAINTEED CORPORATION WORK. ALL RIGHTS OF DESIGN OR INVENTION DISCLOSED IN THE DRAWING ARE EXPRESSLY RESERVED BY CERTAINTEED CORPORATION. RECIPIENT SHALL NOT REPRODUCE IN WHOLE OR ANY PART ANY SECTION OF THIS DRAWING AND AGREES UPON NOTIFICATION BY CERTAINTEED CORPORATION TO RETURN THIS DRAWING AND COPIES THEREON IMMEDIATELY TO CERTAINTEED CORPORATION.

DESCRIPTION: CROSS SECTION DWG/ DOUBLE GLIDER

PRODUCT: BRYN MAWR II (STAGE IV)

SCALE: 1=1

SHT 2 OF 3

DATE: 8/24/00

SKU:

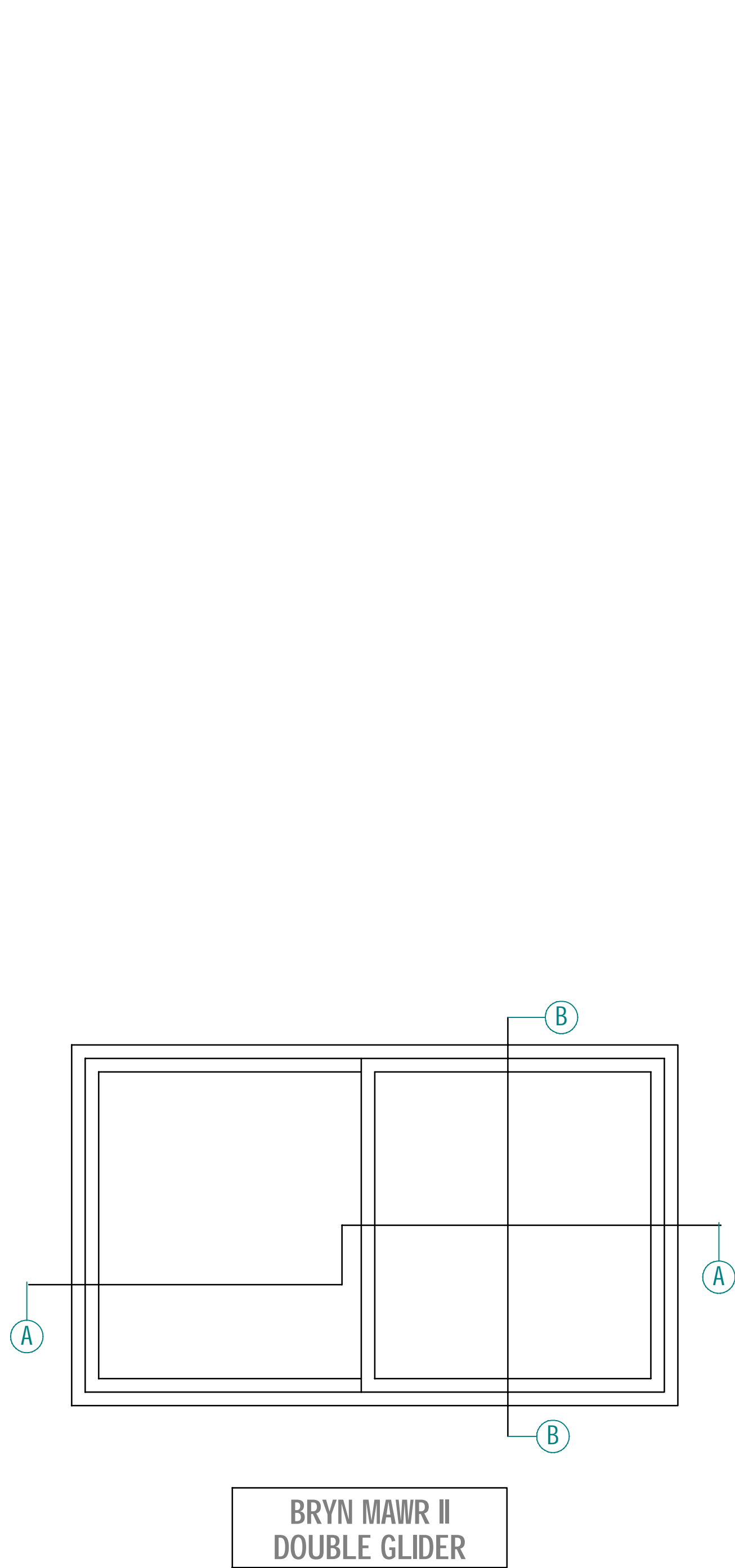
MATERIAL:

DRN: R. APPLIGATE

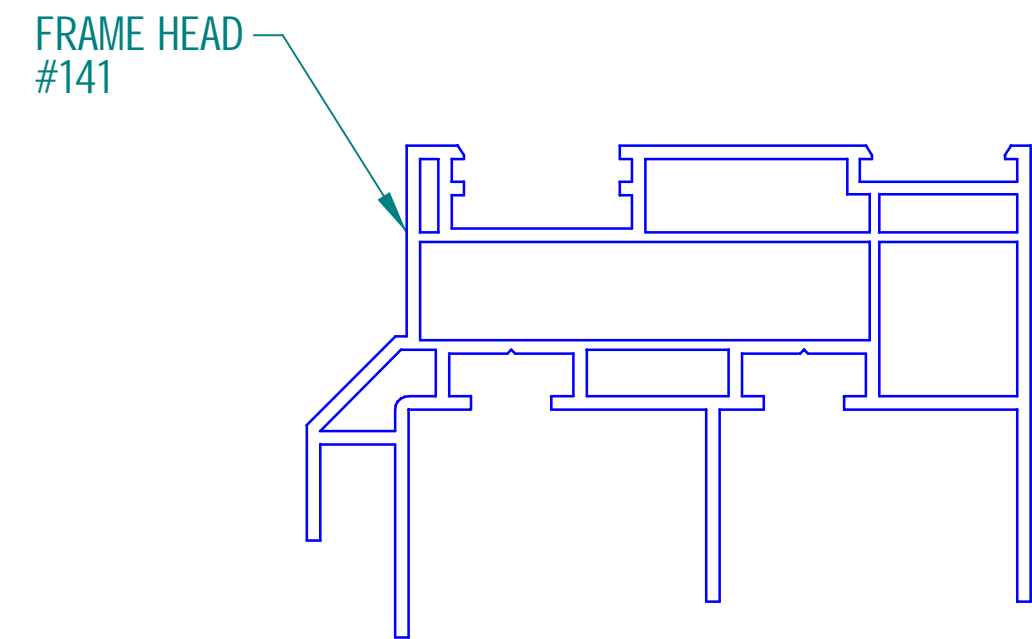
DRAWING NUMBER:

CHK:

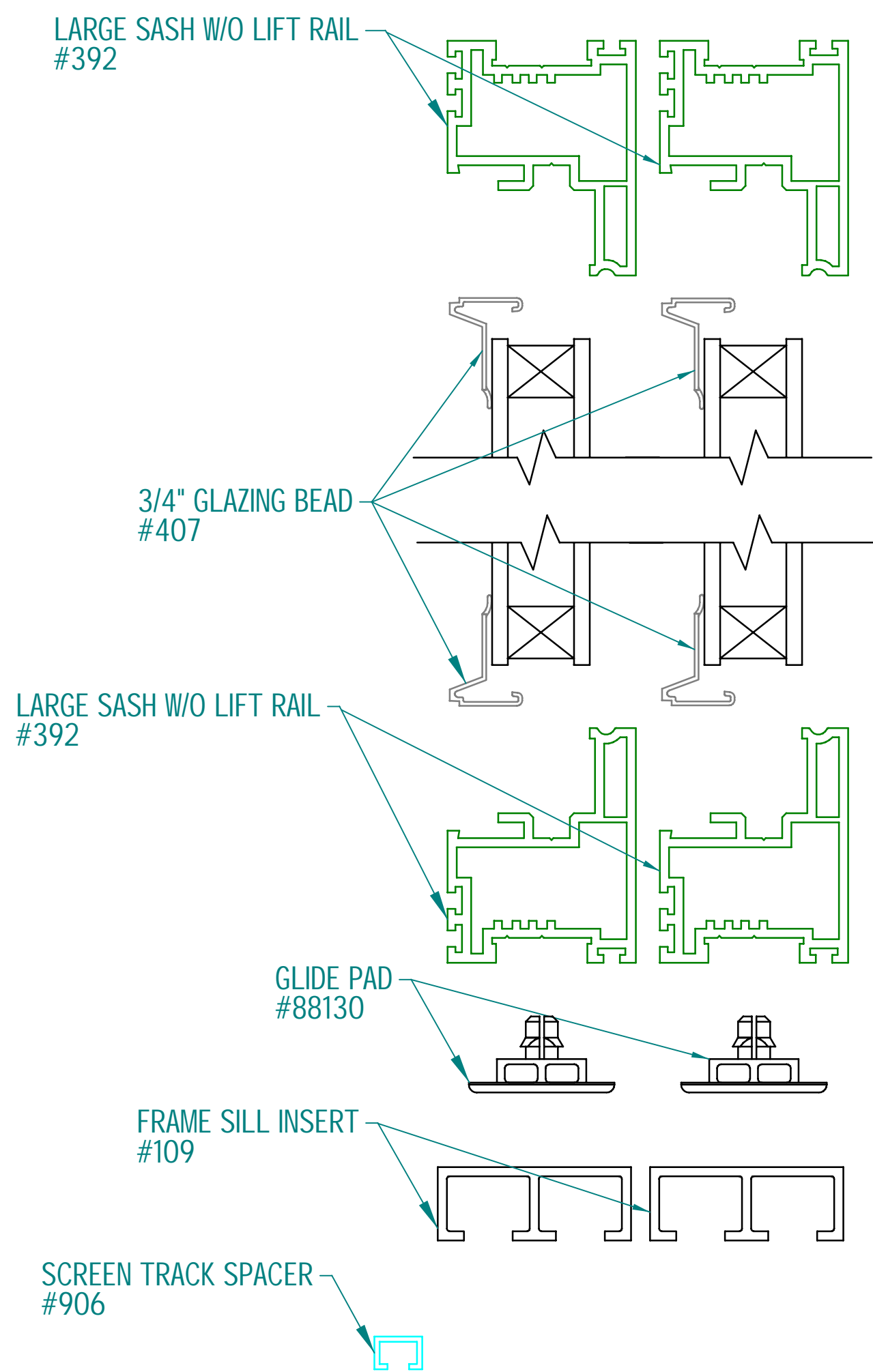
**W-CS-BMIIDG-B-002-B**



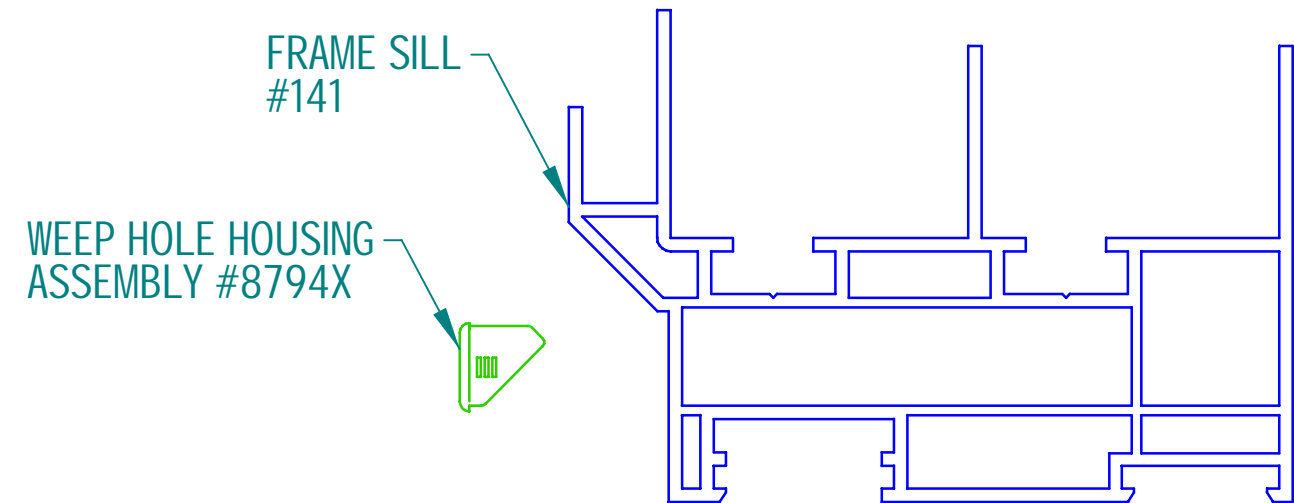
**HEAD**



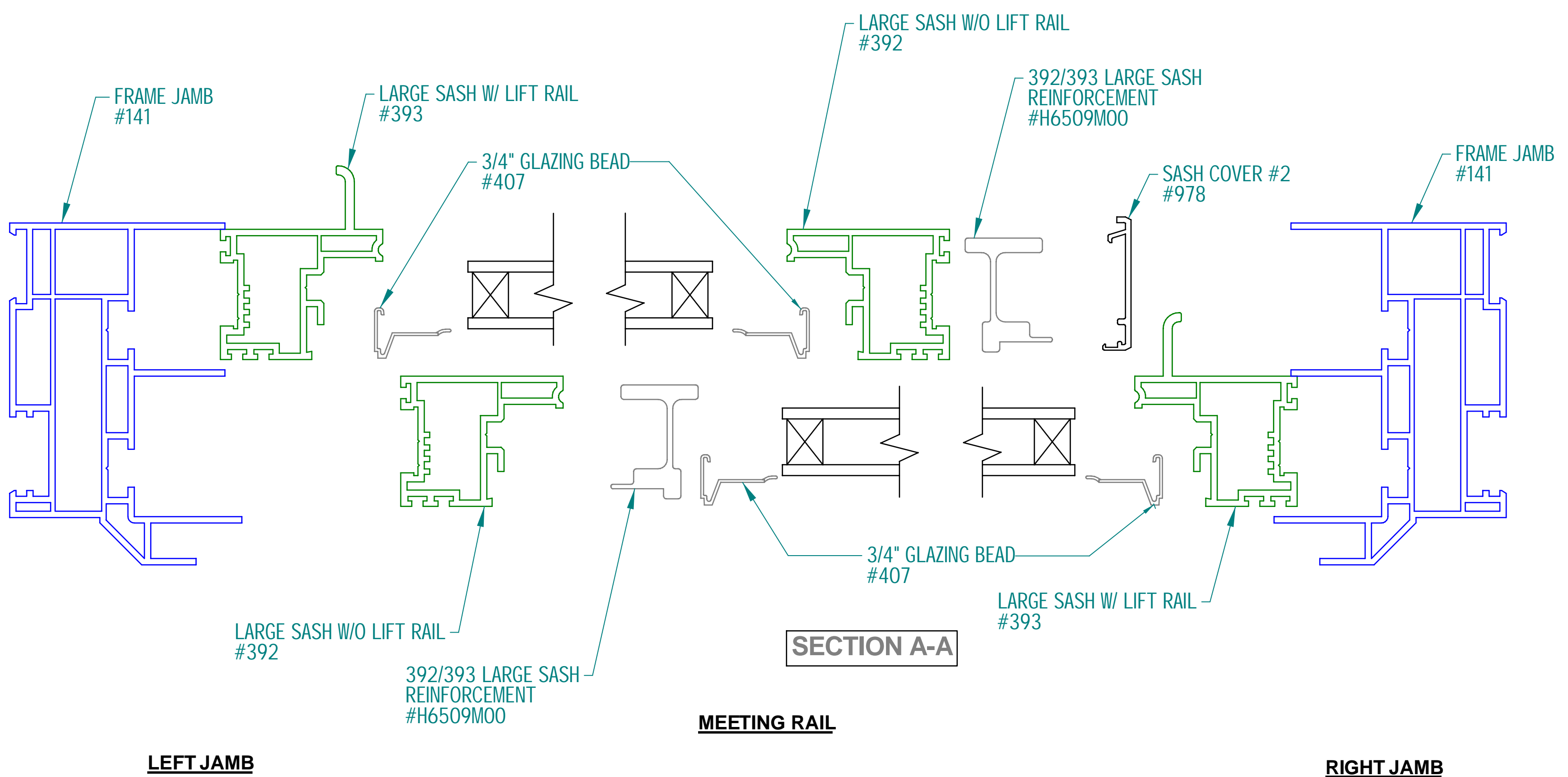
**SECTION B-B**



**SILL**



**SECTION A-A**



**LEFT JAMB**

**RIGHT JAMB**

DO NOT SCALE DRAWING MM REFERENCE DIMENSION UNLESS OTHERWISE NOTED		<b>CertainTeed</b> Window Group Technology Center Jackson, Michigan		DESCRIPTION: CROSS SECTION DWG/ DOUBLE GLIDER			
TOLERANCES: DECIMAL .XX ±.03 XXX ±.010		THIS DRAWING IS THE PROPERTY OF CERTAINTED CORPORATION AND ALL INFORMATION CONTAINED THEREIN IS TO BE KEPT CONFIDENTIAL BY THE RECIPIENT THEREOF AND NOT TO BE DISCLOSED TO ANY OTHER PERSON OR CORPORATION WITHOUT CERTAINTED CORPORATION'S EXPRESS WRITTEN CONSENT. THE DRAWING SHALL NOT BE COPIED, REPRODUCED OR OTHERWISE USED IN CONNECTION WITH CERTAINTED CORPORATION WORK. ALL RIGHTS OF DESIGN OR INVENTION DISCLOSED IN THE DRAWING ARE EXPRESSLY RESERVED BY CERTAINTED CORPORATION. RECIPIENT SHALL NOT REPRODUCE IN WHOLE OR IN PART ANY SECTION OF THIS DRAWING AND AGREE UPON NOTIFICATION BY CERTAINTED CORPORATION TO RETURN THIS DRAWING AND COPIES THEREON IMMEDIATELY TO CERTAINTED CORPORATION.		PRODUCT: BRYN MAWR II (STAGE IV)		SCALE: 1=1	SHT 3 OF 3
FRACTIONS ±1/16 ANGLE ±0°30'		DATE: 8/24/00		MATERIAL:			
DRAWN IN SOLID EDGE		DRN: R. APPELEGATE		DRAWING NUMBER: W-CS-BMIIDG-B-002-B			
REVISIONS		DATE		BY			