



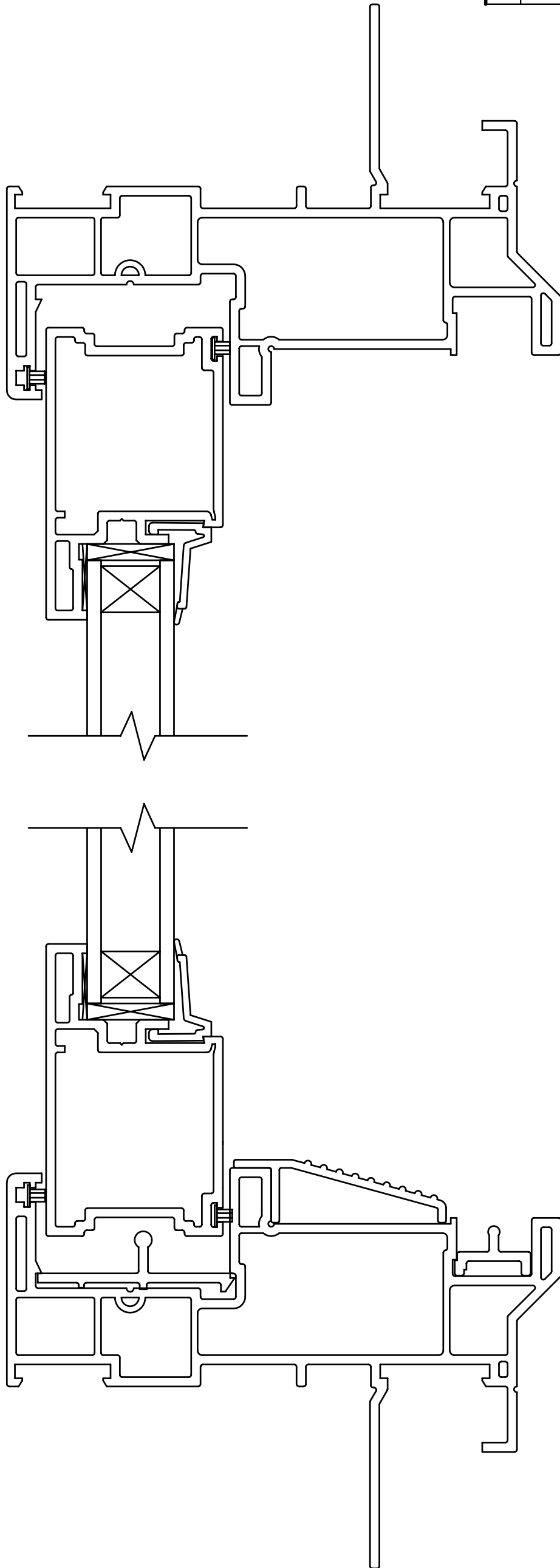
JAMB

MEETING STILES

JAMB

		DO NOT SCALE DRAWING MM REFERENCE DIMENSION		 Window Group Lebanon, Indiana © 2004 CERTAINTEED CORPORATION	DESCRIPTION: CROSS SECTION DWG/ PATIO DOOR		
		UNLESS OTHERWISE NOTED TOLERANCES:			PRODUCT: NEW CASTLE XT (STAGE IV)	SCALE: 1=1	SHT 1 OF 4
		DECIMAL .XX = ±.03 .XXX = ±.010		DATE: 2/1/04		SKU:	MATERIAL:
		FRACTIONS ±1/16 ANGLE ±0°30'		DRN: L. WOOD		DRAWING NUMBER:	
 DRAWN IN SOLID EDGE.		2/1/04	LDW	CHK:		W-CS-NCXTPD-B-001	
NO	REVISIONS	DATE	BY				

NO	REVISIONS	DATE	BY
A	DRAWN IN SOLID EDGE.	2/1/04	LDW



HEAD

SILL

DO NOT SCALE DRAWING
MM REFERENCE DIMENSION

UNLESS OTHERWISE NOTED
TOLERANCES:

DECIMAL .XX = ±0.03
.XXX = ±0.010

FRACTIONS ±1/16
ANGLE ±0°30'

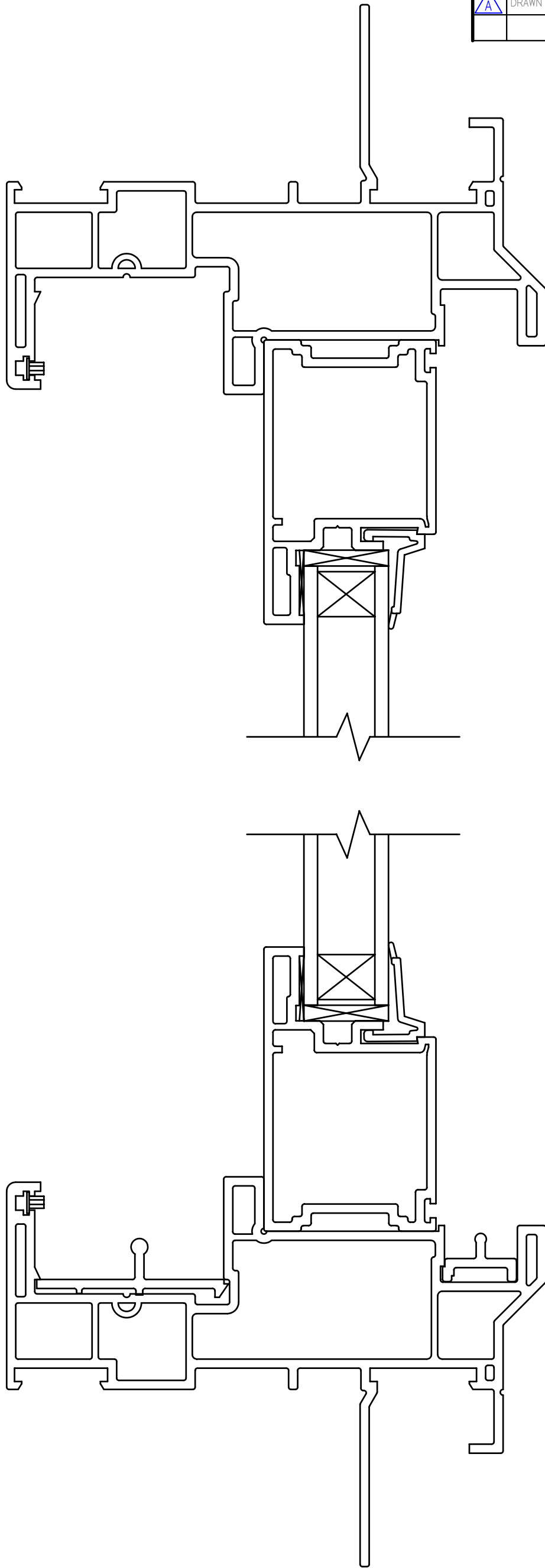
CertainTeed Window Group
Lebanon, Indiana

© 2004 CERTAINTEED CORPORATION

THIS DRAWING IS THE PROPERTY OF CERTAINTEED CORPORATION AND ALL INFORMATION CONTAINED THEREON IS TO BE KEPT CONFIDENTIAL BY THE RECIPIENT THEREOF AND NOT TO BE DISCLOSED TO ANY OTHER PERSON, FIRM OR CORPORATION WITHOUT CERTAINTEED CORPORATION'S EXPRESSED WRITTEN CONSIDERATION. THE DRAWING SHALL NOT BE USED DIRECTLY OR INDIRECTLY EXCEPT IN CONNECTION WITH CERTAINTEED CORPORATION WORK. ALL RIGHTS OF DESIGN OR INVENTION DISCLOSED IN THE DRAWING ARE EXPRESSLY RESERVED BY CERTAINTEED CORPORATION. RECIPIENT SHALL NOT REPRODUCE IN WHOLE OR ANY PART ANY SECTION OF THIS DRAWING AND AGREES UPON NOTIFICATION BY CERTAINTEED CORPORATION TO RETURN THIS DRAWING AND COPIES THEREON IMMEDIATELY TO CERTAINTEED CORPORATION.

DESCRIPTION: CROSS SECTION DWG/ PATIO DOOR		
PRODUCT: NEW CASTLE XT (STAGE IV)	SCALE: 1=1	SHT 2 OF 4
DATE: 2/1/04	SKU:	MATERIAL:
DRN: L. WOOD	DRAWING NUMBER:	
CHK:	W-CS-NCXTPD-B-001-A	

NO	REVISIONS	DATE	BY
A	DRAWN IN SOLID EDGE.	2/1/04	LDW



HEAD

SILL

DO NOT SCALE DRAWING
MM REFERENCE DIMENSION

UNLESS OTHERWISE NOTED
TOLERANCES:

DECIMAL .XX = ±.03
.XXX = ±.010

FRACTIONS ±1/16
ANGLE ±0°30'

CertainTeed

© 2004 CERTAINTEED CORPORATION

THIS DRAWING IS THE PROPERTY OF CERTAINTEED CORPORATION AND ALL INFORMATION CONTAINED THEREON IS TO BE KEPT CONFIDENTIAL BY THE RECIPIENT THEREOF AND NOT TO BE DISCLOSED TO ANY OTHER PERSON, FIRM OR CORPORATION WITHOUT CERTAINTEED CORPORATION'S EXPRESSED WRITTEN CONSIDERATION. THE DRAWING SHALL NOT BE USED DIRECTLY OR INDIRECTLY EXCEPT IN CONNECTION WITH CERTAINTEED CORPORATION WORK. ALL RIGHTS OF DESIGN OR INVENTION DISCLOSED IN THE DRAWING ARE EXPRESSLY RESERVED BY CERTAINTEED CORPORATION. RECIPIENT SHALL NOT REPRODUCE IN WHOLE OR ANY PART ANY SECTION OF THIS DRAWING AND AGREES UPON NOTIFICATION BY CERTAINTEED CORPORATION TO RETURN THIS DRAWING AND COPIES THEREON IMMEDIATELY TO CERTAINTEED CORPORATION.

Window Group
Lebanon, Indiana

DESCRIPTION: CROSS SECTION DWG/ PATIO DOOR

PRODUCT: NEW CASTLE XT (STAGE IV)

SCALE: 1=1

SHT 3 OF 4

DATE: 2/1/04

SKU:

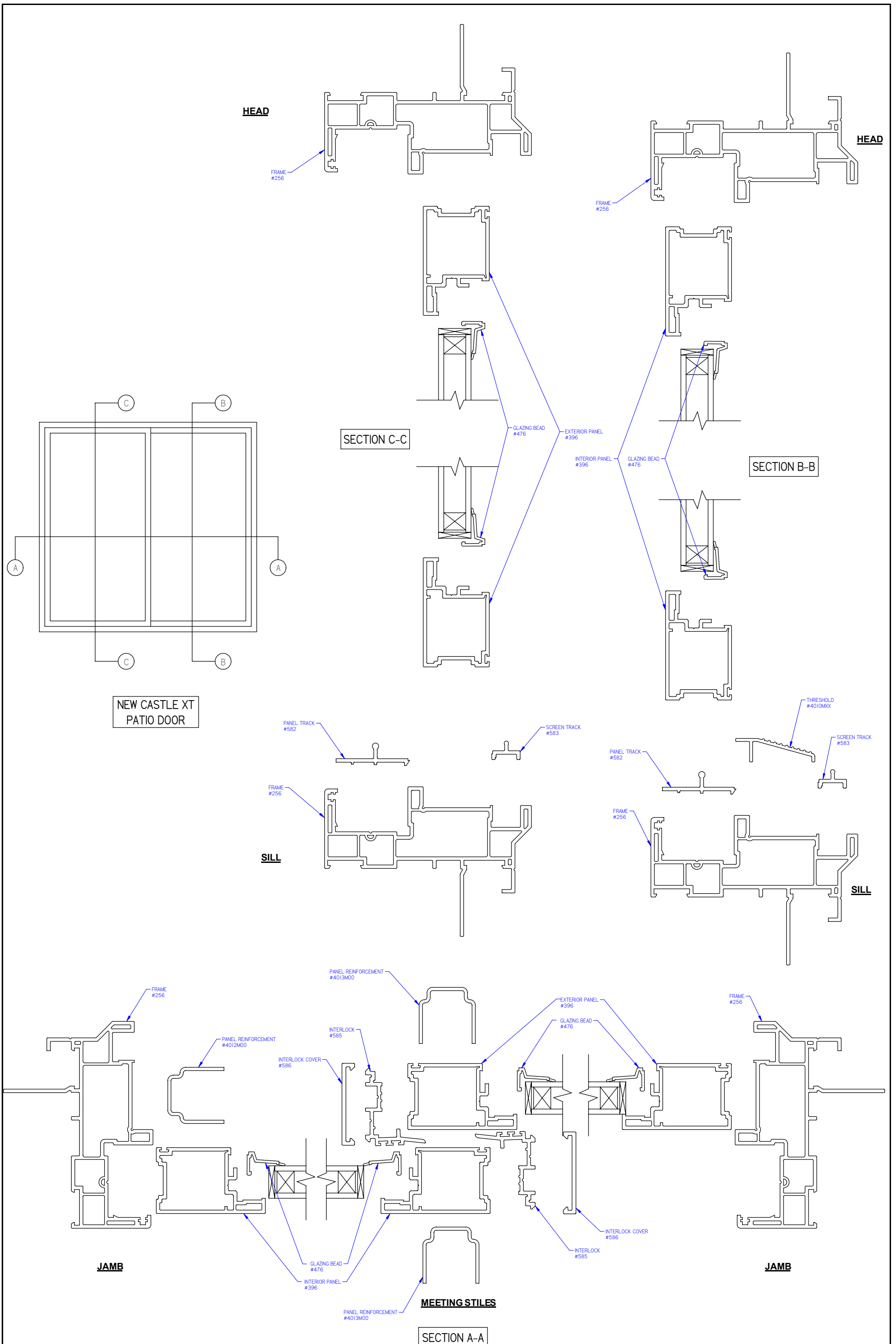
MATERIAL:

DRN: L. WOOD

DRAWING NUMBER:

CHK:

W-CS-NCXTPD-B-001-A



DO NOT SCALE DRAWING MM REFERENCE DIMENSION UNLESS OTHERWISE NOTED		Certainteed Window Group Lafayette, Indiana		DESCRIPTION: CROSS SECTION DWG/ PATIO DOOR	
TOLERANCES: DECIMAL .XX ±.03 XXX ±.010		THIS DRAWING IS THE PROPERTY OF CERTAINTIED CORPORATION AND ALL INFORMATION CONTAINED HEREIN IS TO BE KEPT CONFIDENTIAL BY THE RECIPIENT THEREOF AND NOT TO BE DISCLOSED TO ANY OTHER PERSON OR CORPORATION WITHOUT CERTAINTIED CORPORATION'S EXPRESS WRITTEN CONSENT. THE DRAWING SHALL NOT BE USED DIRECTLY OR INDIRECTLY IN CONNECTION WITH CERTAINTIED CORPORATION WORK. ALL RIGHTS OF DESIGN OR INVENTION DISCLOSED IN THE DRAWING ARE EXPRESSLY RESERVED BY CERTAINTIED CORPORATION. RECIPIENT SHALL NOT REPRODUCE IN WHOLE OR IN PART ANY SECTION OF THE DRAWING AND AGREE UPON NOTIFICATION BY CERTAINTIED CORPORATION TO RETURN THE DRAWING AND COPIES THEREIN IMMEDIATELY TO CERTAINTIED CORPORATION.		PRODUCT: NEW CASTLE XT (STAGE IV) SCALE: 1=1 SHT 4 OF 4	
DRAWN IN SOLID EDGE		DATE: 2/1/04		SKU: MATERIAL:	
NO REVISIONS		DRN: L. WOOD		DRAWING NUMBER: W-CS-NCXTPD-B-001-A	
DATE: 2/1/04		BY: LDM		CHK:	